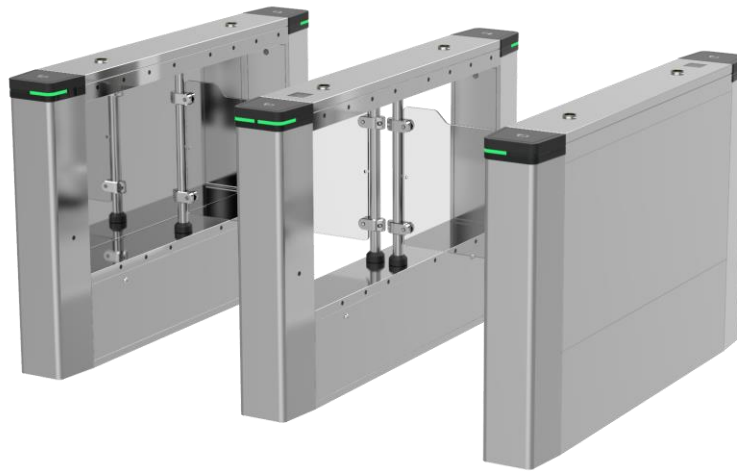


OFG8501 Swing Barrier

Product Overview

OFG8501 swing barrier is designed for face recognition access control. It can work with UNV face recognition terminals to perfectly integrate UNV face recognition technology into barrier gates to achieve precise access control and resolve issues plaguing traditional barrier gates such as illegal access using credentials of authorized persons. It supports multiple door opening modes such as authentication (QR code, IC card), induction, and normally open. This product is made of austenitic stainless steel; has a simple and elegant design; adopts advanced movement production technology to ensure long-term stable operation; and can be widely used in public security, transportation, parks, universities, justice, energy, medical care and other industries.



Key Features

- **Powerful and stable control core**
Advanced movement structure and high-quality brushless DC motor realize precise control, stable operation and long lifetime.
Cutting-edge motor control technology, which integrates closed-loop control system, DSP-based intelligent motor control system, and self-developed motor control algorithm to achieve precise control and positioning of barriers with stable performance.
- **All-round security design**
Ensures safety by triple intelligent anti-pinch technologies: IR detection, impact detection, and current detection.
Safety voltage below 24V prevents electric shock.
The barrier can remain open to allow unobstructed access in case of emergency.
The barrier is unlocked in case of power failure to allow unobstructed access.
Allows flexible selection of normally open or normally closed and adjustment of barrier opening/closing speed to suit various scenarios.
- **Full-fledged IR light curtains**
16 pairs of IR light curtains with matrix cycle scanning control improve detection accuracy.
Sensitively detects illegal access such as reverse access and tailgating (with a tailgating accuracy of 2cm) and triggers alarms through sound, light, etc.

Alarms can be uploaded to the back-end management system through the serial port, and can be linked with other security systems.

- Easy to install and maintain

Easy installation with only 3 cables.

Automatically detects malfunctions and triggers alarms for user-friendly maintenance and use.

- Other features

Supports device configuration such as working mode, control mode, and door opening time on the control panel using numeric keys.

Simple and convenient full-digital adjustment.

Multiple I/O interfaces for various external devices.

Supports device maintenance via network including troubleshooting, event management, passing mode configuration, and movement control.

Supports people counting by IR detection and data uploading to the management platform for statistics.

Supports detecting events such as tailgating, reverse access and intrusion and triggering alarms, and reporting the alarm records to the management platform.

Specifications

Function	Description
IR detector	16 pairs
Throughput	30 to 60 people per minute, depending on the foot traffic and passing mode
Anti-pinch detection	Anti-pinch by IR detection, impact detection, and current detection
Retrograde motion detection	Reverse break-in detection
Alarm mode	Audible and visual alarm
MCBF	6 million times
Indicator color	Red/green
Interface	RS485×1, RS232×1, network interface, CAN
IO	Face recognition terminal*2+remote control*2+fire*2+linkage*2 +door opening button*2
Performance	Description
Motor	Brushless DC motor
Pedestal material	Wall thickness 1.2mm, top cover 1.5mm, 304 brushed stainless steel
Barrier material	10mm PMMA/stainless steel pipe
Power supply	220V input; 24VDC/3A, 12VDC/7A output
Power consumption	Standby: 30W, operating: 50W
Dimensions (L×W×H)	1500mm × 190mm × 960mm
Voice	Built-in amplifier and speaker
Lane width	650mm to 1050mm
Closing accuracy	≤1°
Operating environment	Operating humidity: < 95%, non-condensing; operating temperature: -20°C to 60°C; outdoor shade

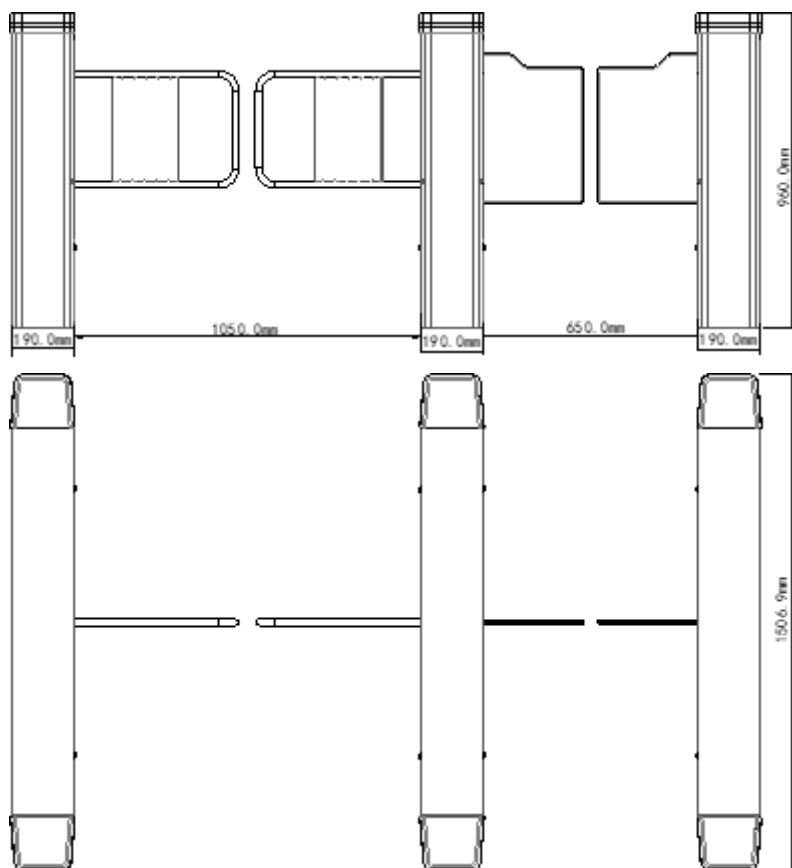
Order Information

Model	Configuration	Remarks
OFG8501	L-A	Swing barrier (left pedestal)
	R-A	Swing barrier (right pedestal)
	M-A	Swing barrier (middle pedestal)

Recommended Accessories

Accessory	Remarks
OET-573B-HMQR-WR	Face recognition terminal
OET-573B-HM-R	Face recognition terminal
OEC-511D-Q	QR code reader
EP-ZT573	Bracket for OET-573 Series Turnstile Installation
EP-SC33	Sunshade

Dimensions (unit: mm)



Zhejiang Uniview Technologies Co., Ltd.

Building No.10, Wanlun Science Park, Jiangling Road 88, Binjiang District, Hangzhou, Zhejiang, China

Email: overseasbusiness@uniview.com; globalsupport@uniview.com

<http://www.uniview.com>

©2021 Zhejiang Uniview Technologies Co., Ltd. All rights reserved.

*Product specifications and availability are subject to change without notice.